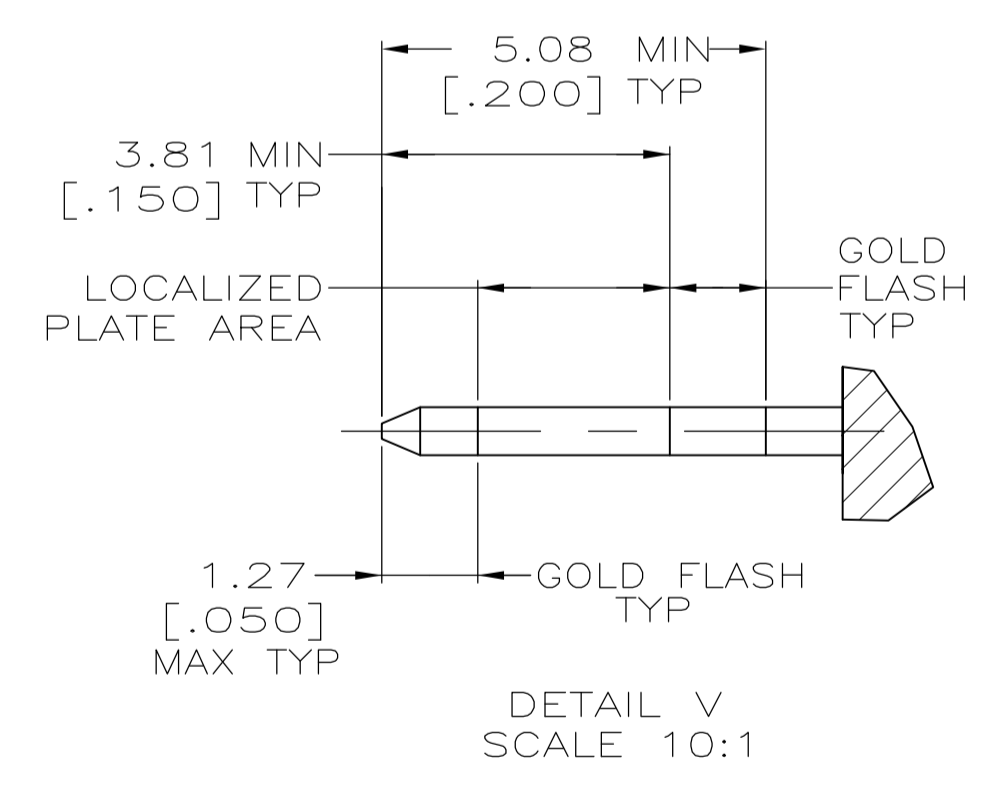
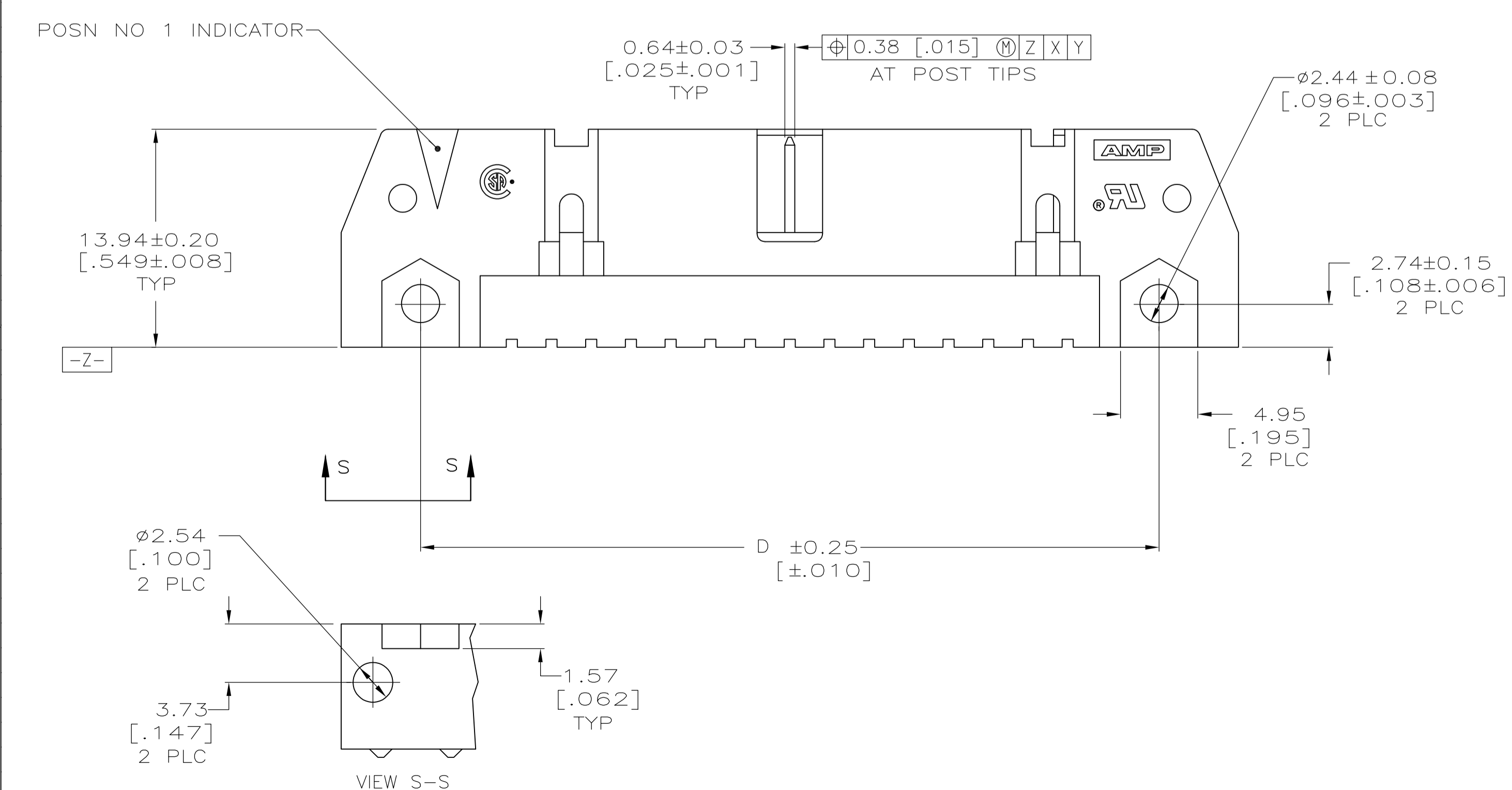
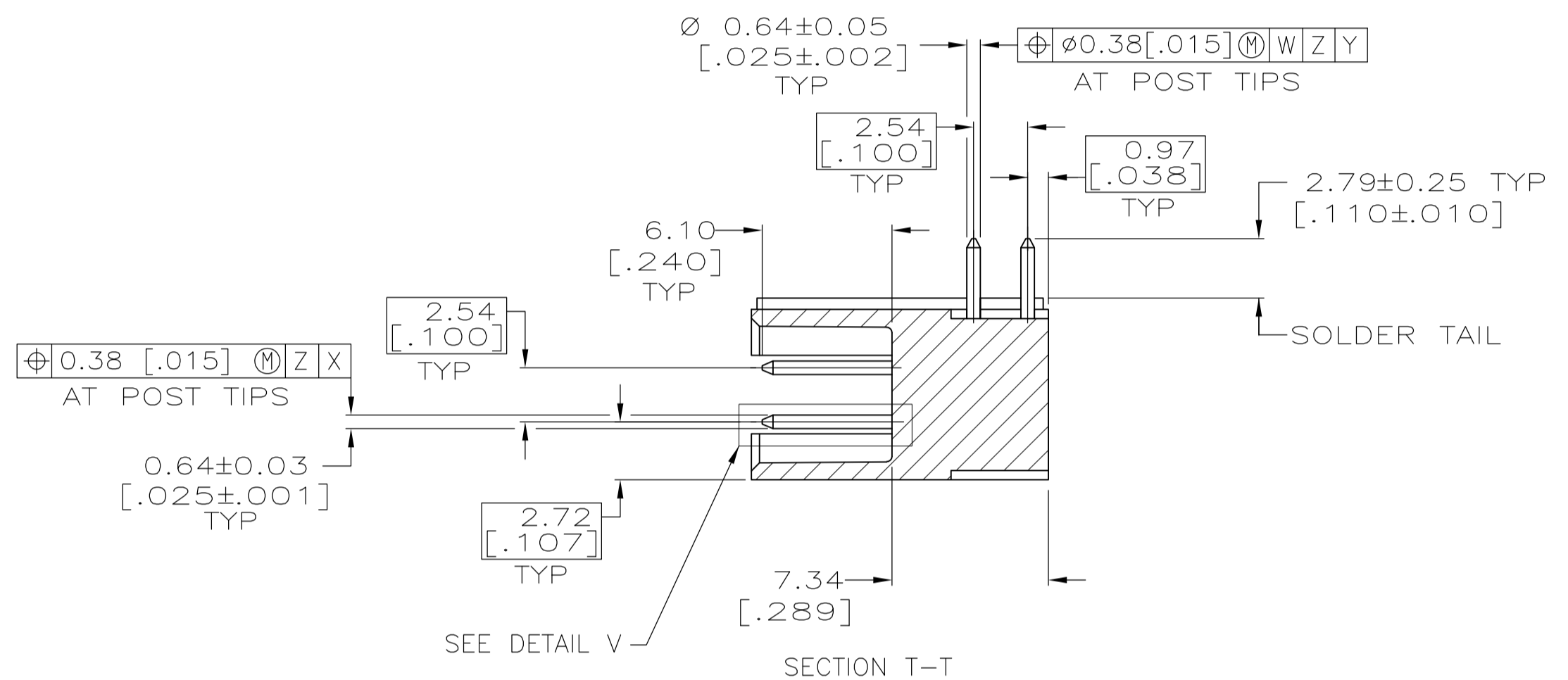
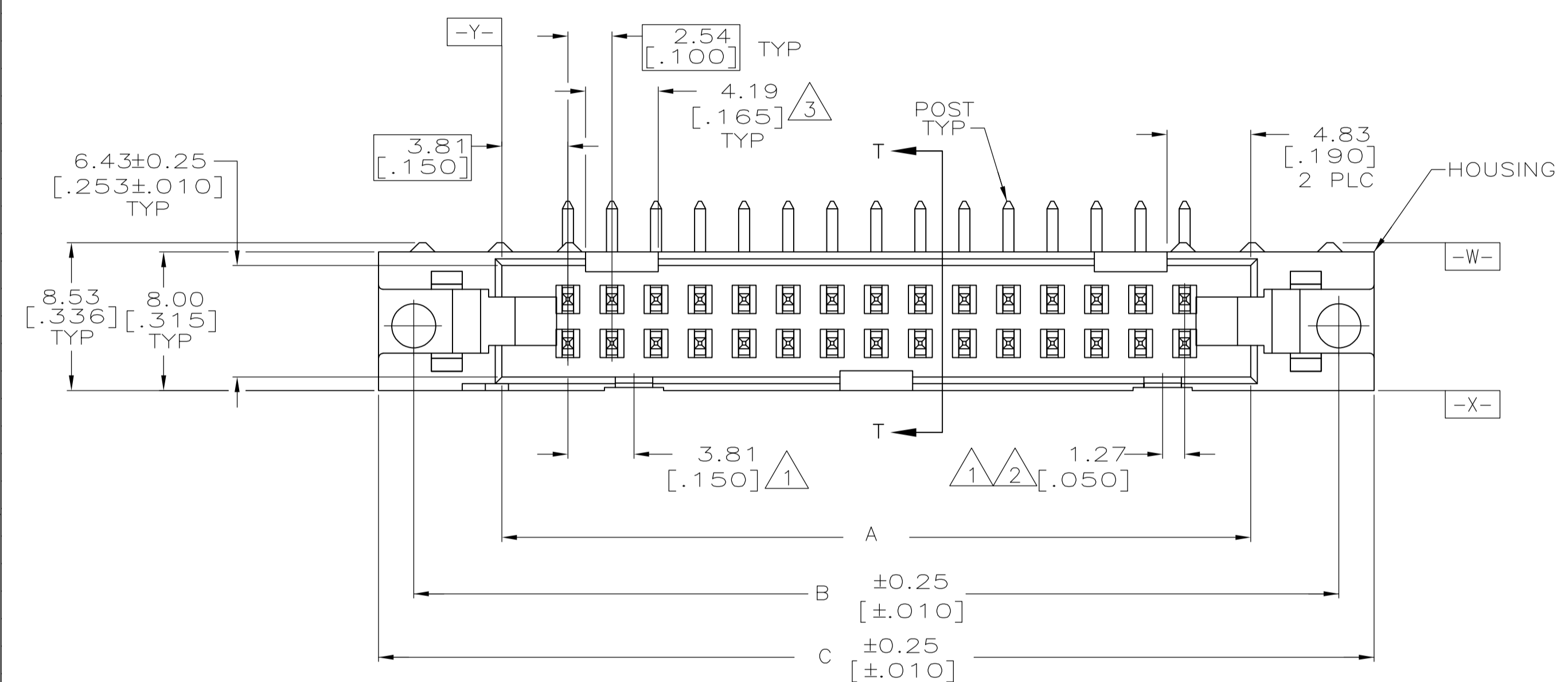


- 1. COORDINATE DIMENSION APPLIES FROM BASIC LOCATION.
- 2. 10 AND 14 POSITION SIZES CONTAIN ONLY ONE SLOT FOR SNAP-IN POLARIZER (MILITARY POLARIZATION) LOCATED AS SHOWN.
- 3. 10 POSITION SIZES CONTAIN ONLY ONE SLOT FOR DUAL POLARIZATION, LOCATED AS SHOWN.
- 4. RECOMMENDED PRINTED CIRCUIT BOARD THICKNESS IS 1.57 [0.062].
- 5. MATERIAL:
HOUSING: GLASS FILLED NYLON OR POLYESTER, 94V-0 RATED, BLACK.
POSTS: BRASS.
- 6. POSTS:
GOLD FLASH OVER PALLADIUM-NICKEL PLATE, 0.38µm [0.00015] MIN TOTAL ON THE LOCALIZED PLATE AREA,
2.54µm [0.00100] MIN TIN PLATE ON THE SOLDER-TAILS,
1.27µm [0.00050] MIN NICKEL UNDERPLATE ON THE ENTIRE POST.
OR
0.38µm [0.00015] MIN GOLD PLATE ON THE LOCALIZED PLATE AREA,
2.54µm [0.00100] MIN TIN PLATE ON THE SOLDER-TAIL,
1.27µm [0.00050] MIN NICKEL UNDERPLATE ON THE ENTIRE POST.
- 7. DATUMS -M- & -N- TO BE ESTABLISHED BY CUSTOMER.



| | | | | | | | |
|---------|---------|---------|---------|---------|---------|------------|-------------|
| 78.74 | 90.42 | 90.42 | 100.58 | 96.52 | 86.36 | 64 | 1-5102159-2 |
| [3.100] | [3.560] | [3.560] | [3.960] | [3.800] | [3.400] | | |
| 73.66 | 85.34 | 85.34 | 95.50 | 91.44 | 81.28 | 60 | 1-5102159-1 |
| [2.900] | [3.360] | [3.360] | [3.760] | [3.600] | [3.200] | | |
| 60.96 | 72.64 | 72.64 | 82.80 | 78.74 | 68.58 | 50 | 1-5102159-0 |
| [2.400] | [2.860] | [2.860] | [3.260] | [3.100] | [2.700] | | |
| 48.26 | 59.94 | 59.94 | 70.10 | 66.04 | 55.88 | 40 | 5102159-9 |
| [1.900] | [2.360] | [2.360] | [2.760] | [2.600] | [2.200] | | |
| 40.64 | 52.32 | 52.32 | 62.48 | 58.42 | 48.26 | 34 | 5102159-8 |
| [1.600] | [2.060] | [2.060] | [2.460] | [2.300] | [1.900] | | |
| 35.56 | 47.24 | 47.24 | 57.40 | 53.34 | 43.18 | 30 | 5102159-7 |
| [1.400] | [1.860] | [1.860] | [2.260] | [2.100] | [1.700] | | |
| 30.48 | 42.16 | 42.16 | 52.32 | 48.26 | 38.10 | 26 | 5102159-6 |
| [1.200] | [1.660] | [1.660] | [2.060] | [1.900] | [1.500] | | |
| 27.94 | 39.62 | 39.62 | 49.78 | 45.72 | 35.56 | 24 | 5102159-5 |
| [1.100] | [1.560] | [1.560] | [1.960] | [1.800] | [1.400] | | |
| 22.86 | 34.54 | 34.54 | 44.70 | 40.64 | 30.48 | 20 | 5102159-4 |
| [.900] | [1.360] | [1.360] | [1.760] | [1.600] | [1.200] | | |
| 17.78 | 29.46 | 29.46 | 39.62 | 35.56 | 25.40 | 16 | 5102159-3 |
| [.700] | [1.160] | [1.160] | [1.560] | [1.400] | [1.000] | | |
| 15.24 | 26.92 | 26.92 | 37.08 | 33.02 | 22.86 | 14 | 5102159-2 |
| [.600] | [1.060] | [1.060] | [1.460] | [1.300] | [.900] | | |
| 10.16 | 21.84 | 21.84 | 32.00 | 27.94 | 17.78 | 10 | 5102159-1 |
| [.400] | [.860] | [.860] | [1.260] | [1.100] | [.700] | | |
| F | E | D | C | B | A | NO OF POSN | PART NUMBER |

THIS DRAWING IS A CONTROLLED DOCUMENT.

DIN: G. ATTADIA - 01-06-05
 CJK: S. BOLASH - 01-06-05

APVD: M. WALMSLEY - 01-06-05

NAME: HEADER ASSY, UNIVERSAL, AMP-LATCH

PRODUCT SPEC: 108-40018

APPLICATION SPEC: -

SIZE: A1

SCALE: 4:1

SHEET: 1 of 1

REV: D1

RESTRICTED CUSTOMER